

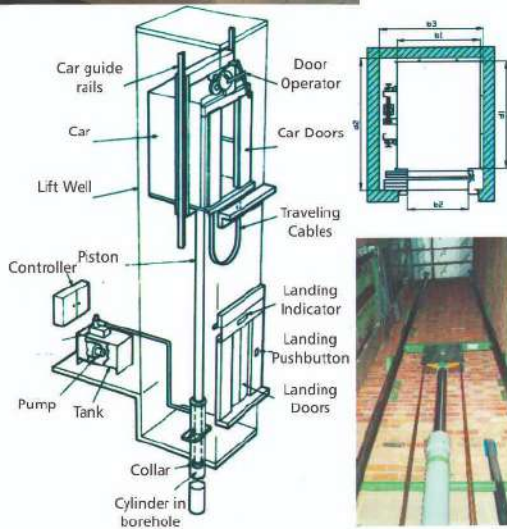


Hydraulic Home Elevators

Looking for a low-maintenance elevator? Hydraulic lifts provide the advantages of being relatively inexpensive, safe and easy to maintain. They're very convenient and cost-effective solution for low-rise buildings with low traffic.

Hydraulic elevators have been rated the safest option for home elevators. They boast superb used friendliness and easy access machine room located at the basement. Once they are put in place, hydraulic elevators provide the smoothest rides possible.

Person	Capacity Kg	Shaft-W (A)	Shaft-D (B)	Car-W (C)	Car-D (D)
3	204	1200	1200	800	900
4	272	1250	1350	850	1050
5	340	1400	1400	1000	1100
6	408	1500	1500	1100	1150



Comined hall button and digital position indicator



New, square Flush buttons that summons the elevator with momentary pressure.

HIXXX191

The Panel is provide with new square flush buttons to operate the elevator and reach the desired floor.

- ★ Add value to you home.
- ★ Precisely designed for your home.
- ★ Noiseless.
- ★ Its elegant design, easy to install as well as safe and easy mobility from basement to the attic, with the push of a button.
- ★ It is the ideal solution for elderly and physically challenged person to move autonomously and free from stairs.
- ★ Smooth ride and smooth final stop.

Flooring

New anti-skid stod type PVC flooring is now made available in 4 different shades.



Designed flooring in vinyl, ceramics & Marble



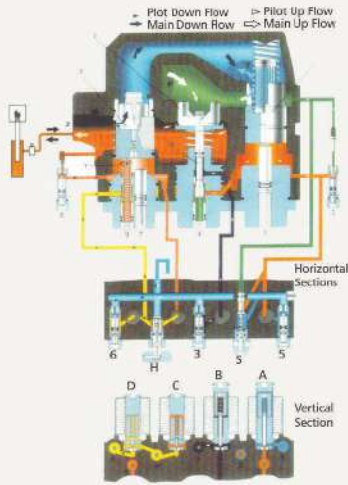
Designed flooring for glass cars



The Safe technology

We are expertise in erection commissioning and maintenance of Hydraulic Elevators. We fallow quality in all the stages of erection.

Global Uses German Make Hydraulic Solenoid Valves For Long Durability



**GLOBAL HYDRAULICS
& ELEVATORS**

B-83, Gate #5, APE Jinkalwada,
Balanagar, Hyderabad-500 037.
E-mail : globalhydraulicsandelevators@gmail.com
Mob : 9491 05 5589, 8328 56 2615



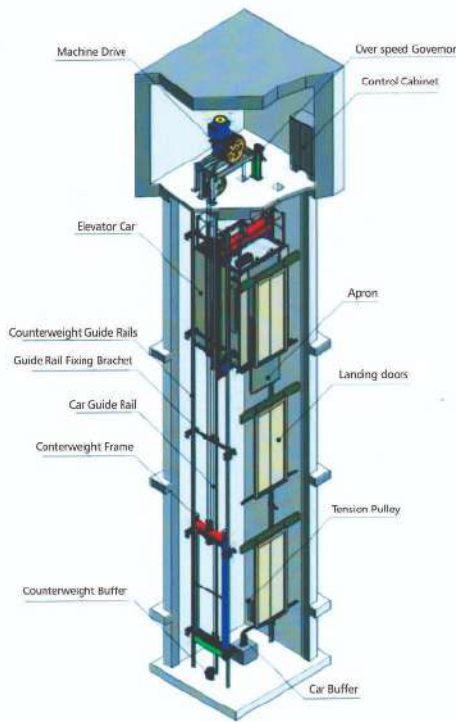
GLOBAL HYDRAULICS & ELEVATORS



**HYDRAULIC
HOME LIFTS**
Safety & Quality

Amaravathi | Visakhapatnam | Hyderabad | Vijayawada | Bhimavaram





Home Elevators

Give added value though simple tailor-made installations that make Use of available space

Panoramic elevators

Are primarily used in specialized buildings for aesthetic appeal and provide A viewing platform. They come with a number of glass variations.

Commercial elevators

Provide for hassle free connectivity between floors within offices and other Commercial building

Freight elevators

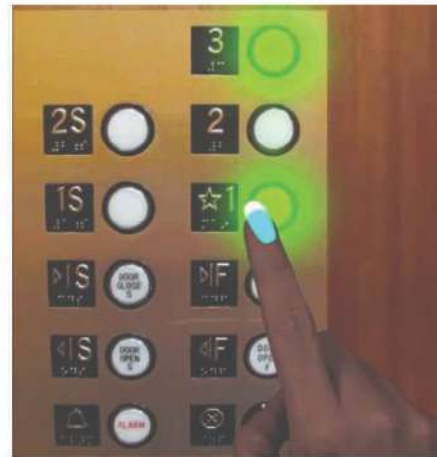
Take into account factors such as size, weight of the materiel to be transported, Method of handling etc..

Hospital elevator

Are designed to meet a modern hospital needs. The elevators Car can carry a slandered hospital bed and other connected equipment

Automobile elevators

Are asafe and cost effective solutions to transport automobiles between The fixed levels and best suited for parking lots, car showrooms, garages etc.



The Safe technology

Our company pays major attention to the quality standards by using the most upgraded technology of production. Within a short period of time Global Hydraulics Elevators has merged as a leader in elevator technology, Global Hydraulics Elevators has gained considerable market share through its expertise in fabrication, installation and erection, maintenance, commissioning and testing, trust and commitment are the core principles that elevated Global Hydraulics Elevators to newer heights.



**GLOBAL HYDRAULICS
& ELEVATORS**





ROLLER GUIDE SHOE CONSTRUCTIVE CHARACTERISTICS

Roller is made out of heavy duty polyurethane. Best quality Bakk bearing used to mount roller. Each roller is supported on pivoted rocker arm for tight gripping. Each roller is loaded in individual spring for ensuring flexibility. Easy installation of Roller Guide shoe with in the system.



DIVERTER SHEAVE

Sheave Range (Ø) : 250 mm to 510 mm
Shaft Range (L) : 300 mm to 400 mm
Available with Bush Bearing & Ball Bearing



Cauldron - I25-R2

Passenger Capacity (Kg) Range 165 to 952
Speed Range (m/sec) 0.50 to 2.70
Max. Static Load (Kg) 3000
Gear Ratio 1/41, 1/52, 2/41, 2/52
Power Range (Kw) 5, 4
Break Voltage (D.C) 48, 60, 110, 220
Sheave Range (mm) 460, 510, 530, 560
Oil Capacity (Ltr) 03
Weight of Machine (Kg) 300



Verticle Machine Epitome - 135

Passenger Capacity (Kg) Range 300 to 680
Speed Range (m/sec) 0.60 to 0.95
Max. Static Load (Kg) 2200
Gear Ratio 1/45, 2/63
Power Range (Kw) 4.5, 5.4, 6.7
Break Voltage (D.C) 48, 60, 110, 220
Sheave Range (mm) 360, 400
Oil Capacity (Ltr) 03
Weight of Machine (Kg) 215



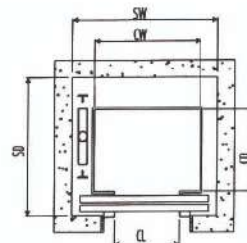
R. R. CAM (L - Type)

- ◆ Noise less.
- ◆ Maintenance free.
- ◆ Compact design & smart look.
- ◆ Easy installation.
- ◆ Available in 110V/220V
- ◆ M.S. Power coated body.
- ◆ It work in pneumatic principle.
- ◆ It's working pressure can be adjustable.

Dimensions for Traction Elevators

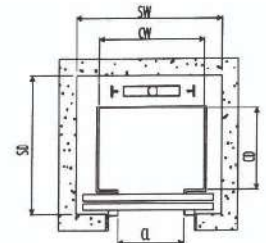
Persons	Persons	Car Inside	Lift Shaft Size	Entrance	Machine Room
	Load		(Two side open)		
No.	Kg	Width x Length	Width x Length	Width	Width & Length
4	272	1100X700	1600X1300	900	3000 X 3000
6	408	1100 X 1000	1600 X 1600	1000	3000 X 3000
8	514	1300 x 1100	1800 x 1700	1100	3000 X 3000
10	680	1350 x 1300	1850 x 1700	1350	3000 X 3000
13	884	2000 x 1100	2500 x 1700	1350	3000 X 3000
16	1088	2000 X 1300	2500 x 1900	1500	3000 X 3000

Dimensions for Hydraulic Elevators



CAPACITY	CAR SIZE		SHAFT SIZE		CLEAR OPENING
	CWxCD	SWxSD	CWxSD	SWxSD	
4 PASSES	950X1100	1400X1400	1700X2100	700X2100	
6 PASSES	1150X1100	1600X1500	1800X2100	800X2100	
8 PASSES	1150X1350	1600X1750	1800X2100	800X2100	
10 PASSES	1250X1450	1700X1850	1800X2100	800X2100	
13 PASSES	1450X1650	1900X2050	1800X2100	800X2100	

Doors: Two Panels side opening Automatic door



CAPACITY	CAR SIZE		SHAFT SIZE		CLEAR OPENING
	CWxCD	SWxSD	CWxSD	SWxSD	
4 PASSES	1100X850	1500X1500	1700X2100	700X2100	
6 PASSES	1300X900	1700X1600	1800X2100	800X2100	
8 PASSES	1400X900	1800X1600	1800X2100	800X2100	
10 PASSES	1600X1100	1800X1800	1800X2100	800X2100	
13 PASSES	1800X1300	2000X2000	1800X2100	800X2100	

Doors: Two Panels center opening Automatic door

Note: To Install the Hydraulic Power pack, A Machine room with minimum dimensions 1 500 x 1 500D x 2400H and with 1200MM wide door opening to be provided within A distance of 5.0 meters from the shaft. The Machine room must be Air Conditioned.

CW-Cabin Interior width CD-Cabin Interior width SW-Shaft Interior width SD-Shaft Interior Depth CL-Clear Opening

All dimensions mentioned are in mm



**SWIFT SPRING
IVORY & VIOLET PANELS**

Quality materials

Ivory & Violet Panels

Wall

Painted steel panels

Floor

PVC

Car Operating Panel

KDSS0 button with red registration LEDs on stainless steel face plate. Seven segments of Indicator on silver painted inclined module on lintel.

Handrail

Silver grey or matt Black painted

Ceiling

Painted steel

Lighting

Rectangle CLF Lights

Ventilation

Side Blowers for air

Mirror

Partial height, full width

Collapsible gate

We manufacture and supply the gates as per customers requirement apartments and other buildings also, our gates are very good in quality and rigid construction and all our customer are very happy with gates.

Button Cover

Car Operating panel with position indicator



HIXXX191

Comined hall button and digital position indicator



HIXXX191

New, square Flush buttons that summons the elevator with momentary pressure.

The Panel is provide with new square flush buttons to operate the elevator and reach the desired floor.

Flooring

New anti skid strod type PVC flooring is now made available in 4 different shades.



Designed flooring in vinyl, ceramics & Marble



Designed flooring for glass cars



Manual Sliding Door (SOMD)



Swing Door (SD)



Glass Swing Door



Collapsible Gate (FMBC)



Auto Big Vision Door



Automatic Door (COPD)

**The AMC
Safeguarding the value**

Global Hydraulics Elevators provide these through its network of service centres. Global Hydraulics Elevators invests continuously in training, new technologies, process refinements and in information systems. All directed towards raising the service bar fulfilling our promise to our customers.

- ♦ structured preventive maintenance schedules.
- ♦ A variety of service contacts to suit different needs.
- ♦ Tele-monitoring capability.
- ♦ Knowledge base for each elevator in service
- ♦ Compensive spare parts inventory



GLOBAL HYDRAULICS & ELEVATORS

B-83, Gate #5, APIE Jinkalwada, Balanagar, Hyderabad-500 037.
E-mail : globalhydraulicsandelevators@gmail.com
Mob : 9491 05 5589, 9848 63 6598



GLOBAL HYDRAULICS & ELEVATORS

Safety & Quality

Amaravathi | Visakhapatnam | Hyderabad | Vijayawada | Bhimavaram

